




pop


LAMPADA DA PARETE

Wall lamp | Applique | Wandleuchte

 Lampada da parete con LED integrato luce indiretta. Montatura in metallo verniciato. Diffusore in metacrilato bianco.

 Wall lamp with integrated LED, indirect light. Frame in painted metal. Diffuser in white methacrylate.

 Applique avec lumière indirecte, LED intégrée. Structure en métal peint. Diffuseur en méthacrylate blanc.

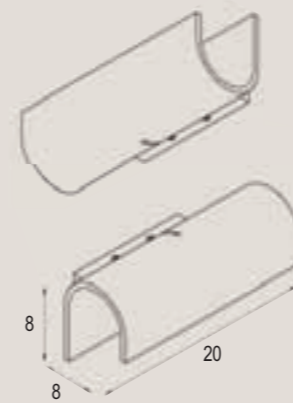
 Wandleuchte mit integrierter indirekter LED-Lampe. Lackiertem Metallrahmen. Diffusor aus weißem Methacrylat.



K- SWITCH
3000K - 4000K

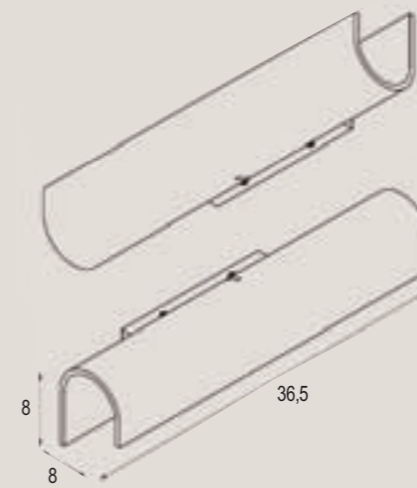


MONOEMISSIONE
single emission



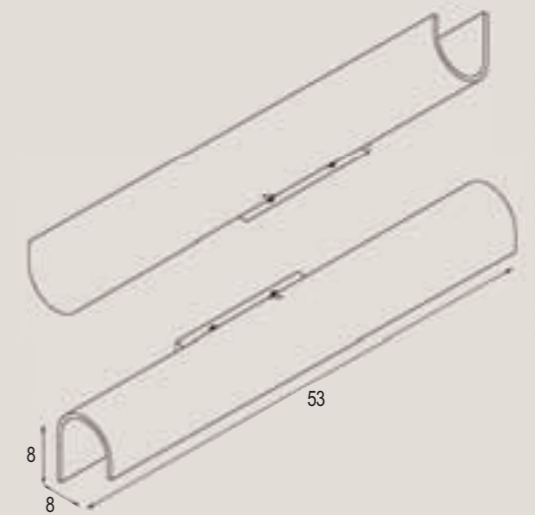
POP A20

LED 12 Watt
LM: SOURCE 1523 (REAL 1066)
CCT 3000/4000K
IP20
L 20 P 8 H 8 cm



POP A36

LED 20 Watt
LM: SOURCE 2529 (REAL 1770)
CCT 3000/4000K
IP20
L 36,5 P 8 H 8 cm



POP A53

LED 28 Watt
LM: SOURCE 3665 (REAL 2566)
CCT 3000/4000K
IP20
L 53 P 8 H 8 cm

J JEWELS RANGE

FINITURE DISPONIBILI | Finishes available

WH  Bianco White	SG  Grigio Perla Silver grey	DG  Antracite Dark grey	NE  Nero Black	RU  Ruggine Rust	TO  Tortora Turtledove	MA  Magenta Magenta
GF  Foglia oro Gold foil	SF  Foglia Argento Silver foil	RF  Foglia Rame Copper foil	MG  Oro opaco Matt gold	BN  Oro rosato Pink Gold	MC  Rame opaco Matt copper	VB  Verde bosco Forest green

