






onda


SOSPENSIONE

Suspension | Suspension | Hängeleuchte

 Sospensione lineare, montatura in metallo verniciato bianco, diffusore in metacrilato, luce dinamica: dimmerazione del colore (da 2700 calda a 6000 fredda) dimmerazione intensità (da 5w a 47w) comando a distanza (ON/OFF, dimmer k e dimmer watt).

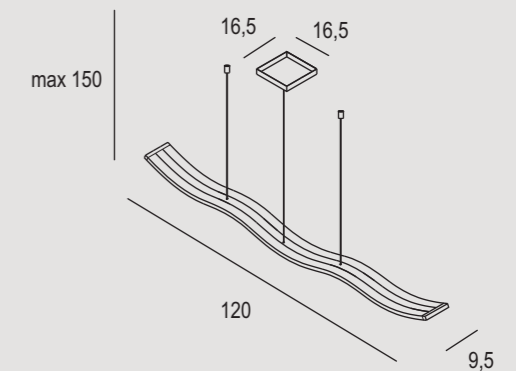
 Linear suspension, white painted metal frame, methacrylate diffuser, dynamic light: light color dimming (from 2700 warm to 6000 cold) intensity dimming (from 5w to 47w) remote control (ON / OFF, k dimmer and watt dimmer)

 Suspension linéaire, structure en métal peint en blanc, diffuseur en méthacrylate, lumière dynamique: gradation de la couleur de la lumière (de 2700 chaud à 6000 froid) gradation d'intensité (de 5w à 47w) télécommande (ON / OFF, k dimmer et watt dimmer).

 Lineare Hängeleuchte mit weiß-lackiertem Metallrahmen, Diffusor aus Methacrylat. Dynamisches Licht-farbdimbar vom 2700k-warm bis 6000k-weiss Dimmintensität: ab 5w bis 47w. -Fernbedienung (ON / OFF, k dimmer und watt dimmer).



DIMMERABILE E DINAMICA
dimmable and dynamic



ONDA S120 DIM

LED 47 Watt
LM: SOURCE 5130 (REAL 3880)
CCT 2700 / 6000 K
IP20
L 120 P 9,5 H MAX 150 cm

Dimmerabile e dinamica con comando a distanza;
Dimmable with remote control

FINITURE DISPONIBILI | Finishes available

WH



Bianco
White

